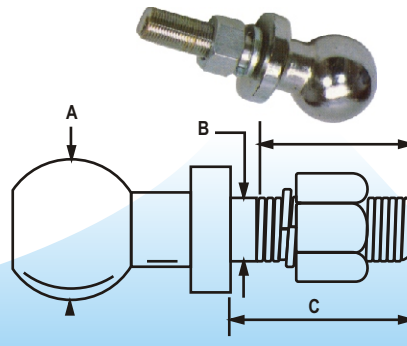


TOW BALL



| CODE | A | B | C |
|------------|--------------------|-------------------|-----------------|
| METB 34001 | 1 - $\frac{3}{4}$ | $\frac{3}{4}$ | 1 $\frac{1}{2}$ |
| METB 34002 | 1 - $\frac{7}{8}$ | $\frac{5}{8}$ | 1 $\frac{5}{8}$ |
| METB 34003 | 1 - $\frac{7}{8}$ | $\frac{3}{4}$ | 1 $\frac{3}{4}$ |
| METB 34004 | 1 - $\frac{7}{8}$ | 1 | 2 |
| METB 34005 | 1 - $\frac{7}{8}$ | $\frac{3}{4}$ | 2 $\frac{1}{4}$ |
| METB 34006 | 1 - $\frac{7}{8}$ | $\frac{3}{4}$ | 2 $\frac{1}{4}$ |
| METB 34007 | 1 - $\frac{7}{8}$ | $\frac{3}{4}$ | 2 $\frac{1}{4}$ |
| METB 34008 | 2 | $\frac{5}{8}$ | 1 $\frac{5}{8}$ |
| METB 34009 | 2 | $\frac{3}{4}$ | 1 $\frac{3}{4}$ |
| METB 34010 | 2 | 1 | 2 |
| METB 34011 | 2 | 1 | 2 $\frac{1}{8}$ |
| METB 34012 | 2 | 1 - $\frac{1}{4}$ | 2 $\frac{1}{4}$ |
| METB 34013 | 2 | 1 - $\frac{3}{8}$ | 2 $\frac{3}{8}$ |
| METB 34014 | 2 | $\frac{3}{4}$ | 2 $\frac{1}{4}$ |
| METB 34015 | 2 | 1 - $\frac{1}{4}$ | 2 $\frac{1}{2}$ |
| METB 34016 | 2 | 1 - $\frac{1}{4}$ | 2 $\frac{1}{2}$ |
| METB 34017 | 2 | 1 | 3 |
| METB 34018 | 2 - $\frac{5}{16}$ | 1 | 2 |
| METB 34019 | $\frac{5}{16}$ | 1 - $\frac{1}{4}$ | 2 $\frac{1}{4}$ |
| METB 34020 | $\frac{5}{16}$ | 1 - $\frac{3}{8}$ | 2 $\frac{3}{8}$ |
| METB 34021 | $\frac{5}{16}$ | 1 | 3 |
| METB 34022 | $\frac{5}{16}$ | 1 - $\frac{1}{4}$ | 3 |